

● Product Picture/产品外观图片



● Features/产品特性描述

1. Emitted Color/发光颜色: Red/红、Green/绿、Blue/蓝
2. Super energy saving and environmental protection/超级节能和环保
3. Choices of luminous intensities for indoor application/选择的发光强度适合于室内应用
4. The useful lifetime of the product is more than 30000 hours/该产品使用寿命超过 30000 小时

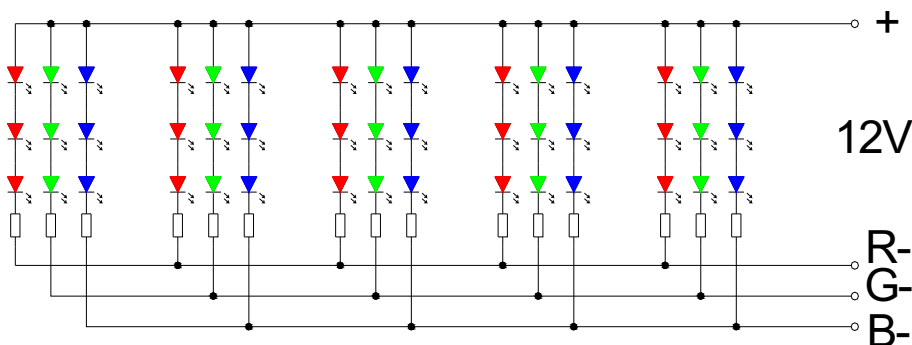
● Absolute Maximum Ratings /产品的极限使用条件

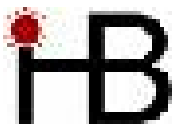
Parameter /项目	Symbol /代码	Rating /范围			Unit
		Min./最小值	Typ./标准值	Max./最大值	
Input Voltage DC /输入电压	V _{in}	11	12	13	V
Input Current DC/输入电流	I(rms)	-	0.27	0.3	A
Operating Tem./工作温度	T _a	-25	25	50	°C
Operating Hum./相对湿度	H _a	5%-95%(No Water/不结露)			-
Storage Tem./存储温度	T _s	-30~65			°C

● Electrical and optical characteristics (Ta=25°C) /产品的电气及光电参数

Parameter /项目	Condition/条件	Symbol /代码	Min. /最小值	Typ./标准值	Max./最大值	Unit
Power Dissipation /功率	V _{in} =12V	P _d	-	3.5	4	W
Luminous Flux /光通量	V _{in} =12V	IV(R)	-	45	-	Lm
		IV(B)	-	11	-	Lm
		IV(G)	-	51	-	Lm
Color Temperature /色温	V _{in} =12V	C.T.(R)	620	625	630	nm
		C.T.(B)	465	470	475	nm
		C.T.(G)	520	525	530	nm
Viewing Angle /发光角度	V _{in} =12V	θ	-	120	-	Deg

● Circuit Diagram/产品线路图





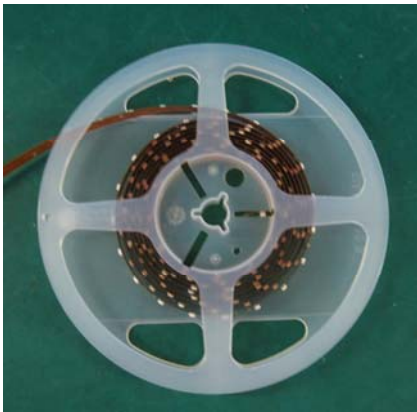
● Package Dimensions /产品尺寸图



Notes /备注:

1. All dimensions are in millimeters. /所有的尺寸单位为 mm.
2. Tolerance is ± 0.5 mm unless otherwise specified. /默认的尺寸公差为 ± 0.5 mm.
3. Specifications are subject to change without notice. /产品外形若有变更, 恕不特别通知.

● Product Packaging Picture/产品包装图



Φ 180X15
20PCS in the reel
20PCS/卷



212X212X1.4
one reel in the bag
1 卷/包



220X210X75
4 reels in the box
4 包/盒